

SERVICE MANUAL

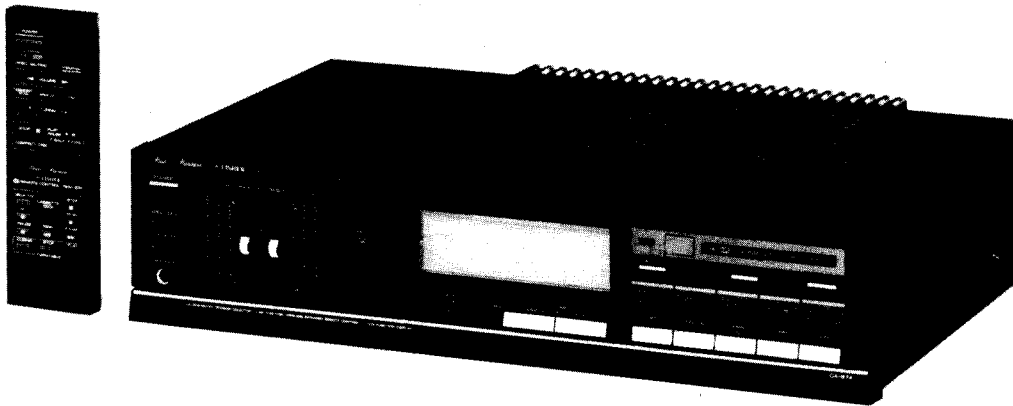


FISHER

INTEGRATED STEREO AMPLIFIER

CA-874

(EUROPE)



132 299 44

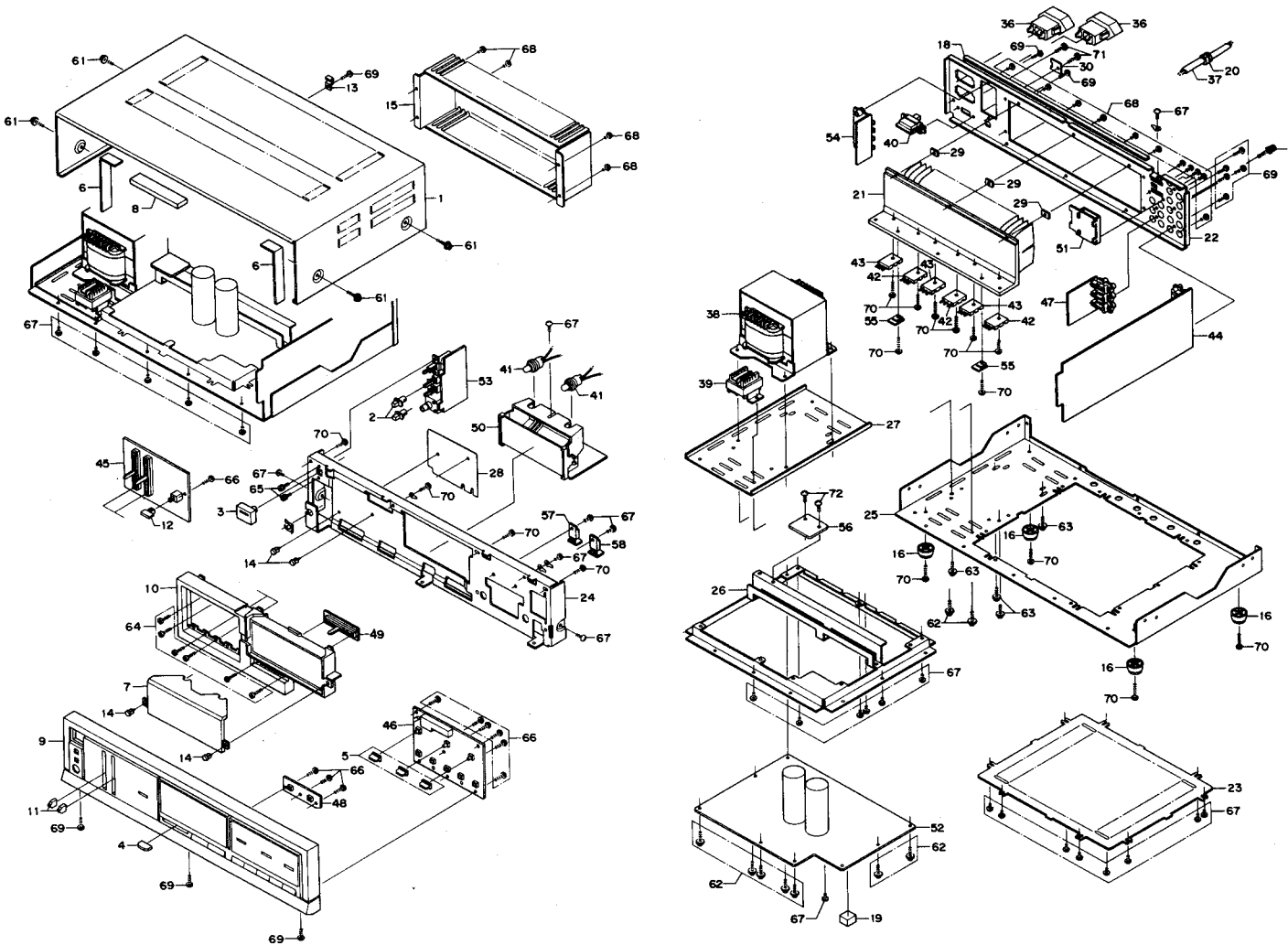
SPECIFICATIONS

| | | | |
|---|---|--|----------------------|
| Remote Control (REM-874) | 25-function, wireless remote control | Tuner/Video/CD | 150 mV/50 k Ω |
| POWER AMPLIFIER SECTION | | Phono Max. Input Capability | 150 mV |
| Minimum RMS sine wave power per channel within stated bandwidth at no more than stated distortion and with 8-ohm load | 120 Watts | Tone Controls | |
| Power Bandwidth | 20 Hz – 20 kHz | Bass(100Hz) | ± 10 dB |
| Total Harmonic Distortion | 0.05 % | Treble(10KHz) | ± 10 dB |
| I.M. Distortion | 0.05 % | Loudness Contour (100 Hz/10 kHz) | +8 dB/+4 dB |
| Speaker Damping | > 20 | Hum & Noise (IHF Short Circuit, A Network) | |
| PREAMPLIFIER SECTION | | Phono | 70 dB |
| Frequency Response | | Tape Monitor 1,2 | 90 dB |
| Phono (RIAA) | ± 1 dB | Tuner/Video/CD | 90 dB |
| Aux (20 Hz – 20 kHz) | ± 1 dB | GENERAL | |
| Input Sensitivity and Impedance | | Power Requirements (50 Hz) | AC 110/220 V |
| Phono | 2.5 mV/50 k Ω | Power Consumption | 550 Watts |
| Tape Monitor 1,2 | 150 mV/50 k Ω | AC Outlets | 2 |
| | | Dimensions (W x H x D) | 440 x 108 x 315 mm |
| | | Weight (approx.) | 9.2 kg |

– Specifications and design are subject to change without notice. –

REFERENCE No. WM-19679

CABINET & CHASSIS EXPLODED VIEW



POWER AMPLIFIER ADJUSTMENT

BEFORE ADJUSTMENT

Unplug the AC power cord and set the front panel controls as follows:

- Power switch to OFF position.
- Set the SPEAKERS switch to the OFF position.
- Set the volume level to minimum level by Pressing the VOLUME DOWN button.
- IDLING CURRENT ADJUSTMENT VR501/VR502 (on the Main Amplifier P.C.Board) setting to mechanical center position.
- Connect the AC power cord and Power Switch to the ON position.

IDLING CURRENT ADJUSTMENT

This adjustment is very sensitive to changes in ambient temperature. Allow set to operate for 2 minutes before attempting this alignment.

LEFT AMPLIFIER

- 1) Connect the DC Voltmeter between Pins 19 and 21 on the Main Amplifier P.C.Board.
- 2) Adjust the VR501 for an indication of 9mV (7mV ~ 15mV) on the DC Voltmeter.

RIGHT AMPLIFIER

- 1) Connect the DC Voltmeter between Pins 20 and 22 on the Main Amplifier P.C.Board.
- 2) Adjust the VR502 for an indication of 9mV (7mV ~ 15mV) on the DC Voltmeter.

CABINET & CHASSIS PARTS LIST

PRODUCT SAFETY NOTICE

Each precaution in this manual should be followed during servicing. Components identified with the IEC symbol \triangle in the parts list and the schematic diagram designate components in which safety can be of special significance. When replacing a component identified with \triangle , use only the replacement parts designated, or parts with the same ratings of resistance, wattage or voltage that are designated in the parts list in this manual.

Leakage-current or resistance measurements must be made to determine that exposed parts are acceptably insulated from the supply circuit before returning the product to the customer.

| Ref. No. | Part No. | Description | Q'ty | Ref. No. | Part No. | Description | Q'ty |
|------------------------------|------------------|----------------------------|------|--|--------------------------|---|------|
| PACKAGE | | | | 22 | 141-2-1219-40909 | Panel Rear | 1 |
| | 3-9415-10300 | Bag Polyethylene | 1 | 23 | 141-2-1259-11200 | Bottom Cover | 1 |
| | 131-6-3009-36090 | Pad | 1 | 24 | 141-2-2149-31200 | Panel Front | 1 |
| | 131-6-3009-36700 | Pad | 2 | 25 | 141-2-3119-31600 | Chassis | 1 |
| | 131-6-3069-16350 | Patching Sheet | 1 | 26 | 141-2-3129-06600 | Sub Chassis | 1 |
| | 131-6-4559-11200 | Serial No. Sheet | 2 | 27 | 141-2-3159-05800 | Metal Reinforce | 1 |
| | 141-6-1189-28500 | Box Corrugate-Exp. | 1 | 28 | 141-2-3229-62900 | Plate Shield | 1 |
| | 141-6-1469-11700 | Pad (Front) | 1 | 29 | 141-2-4359-41200 | Plate Sever | 3 |
| | 141-6-1469-11800 | Pad (Rear) | 1 | 30 | 131-2-7104-00500 | Plate Pad Switch | 1 |
| | 141-6-2519-22290 | Sheet Polyethylene | 1 | | | | |
| ACCESSORIES | | | | 36 | \triangle 4-2352-00450 | AC Socket (AC OUTLET) | 2 |
| | 4-1929-70266 | REM-874 (Remote Control) | 1 | 37 | \triangle 4-2432-00400 | Power Cord | 1 |
| | 131-6-2719-10401 | Bag Fan | 1 | 38 | \triangle 4-2512-25020 | Power Trans (Main) | 1 |
| | 142-6-4119-33421 | Explanatory Booklet | 1 | 39 | \triangle 4-2512-23760 | Power Trans (Sub) | 1 |
| | | | | 40 | \triangle 4-2312-01020 | Switch Slide (AC SELECTOR) [S901] | 1 |
| | | | | 41 | 4-6129-70724 | Lamp | 2 |
| | | | | 42 | 405 017 7804 | TR 2SC3281-0 [Q515, Q516, Q546] | 3 |
| | | | | or | 405 060 2504 | TR 2SD1975-P [Q515, Q516] | 2 |
| | | | | 43 | 405 003 4008 | TR 2SA1302-0 [Q517, Q518, Q545] | 3 |
| | | | | or | 405 031 9006 | TR 2SB1163-P [Q517, Q518] | 2 |
| | | | | 44 | 141-0-1939-23330 | Input P.C.B. Assy | 1 |
| | | | | 45 | 141-0-1939-23340 | Tone P.C.B. Assy | 1 |
| | | | | 46 | 141-0-1939-23350 | Control P.C.B. Assy | 1 |
| | | | | 47 | 141-0-1939-23360 | Pin Jack P.C.B. Assy | 1 |
| | | | | 48 | 141-0-1939-23370 | Volume SW. P.C.B. Assy | 1 |
| | | | | 49 | 141-0-1939-23380 | Balance Volume P.C.B. Assy | 1 |
| | | | | 50 | 141-0-1939-23390 | LCD P.C.B. Assy | 1 |
| | | | | 51 | 141-0-1939-23400 | Remote Control Input P.C.B. Assy | 1 |
| | | | | 52 | 141-0-1939-23410 | Main AMP P.C.B. Assy | 1 |
| | | | | 53 | 141-0-1939-23420 | Power SW. P.C.B. Assy | 1 |
| | | | | 54 | 141-0-1939-23430 | Speaker Terminal P.C.B. Assy | 1 |
| | | | | 55 | 141-0-1939-20450 | Bias P.C.B. Assy | 2 |
| | | | | 56 | 141-0-1939-23290 | Lamp P.C.B. Assy | 1 |
| | | | | 57 | 141-0-1939-23520 | Transistor (SUB) P.C.B. Assy | 1 |
| | | | | 58 | 141-0-1939-23560 | Transistor (+B) P.C.B. Assy | 1 |
| | | | | 61 | 141-2-4219-38400 | Screw, Bind Hd. Tapping-B, +M4.0X8 Sems | 4 |
| | | | | 62 | 131-2-4201-25201 | Screw, Brazier Hd. Tapping-B, +M3.0X8 | 9 |
| | | | | 63 | 141-2-4219-43300 | Screw, Bind Hd. Tapping-C, +M4.0X10 | 4 |
| | | | | 64 | 411 002 4901 | SCR PAN 2X4 | 6 |
| | | | | 65 | 411 003 8908 | SCR PAN+SW 3X6 | 2 |
| | | | | 66 | 411 020 5706 | SCR S-TPG BRZ 2.6X8 | 10 |
| | | | | 67 | 411 020 7700 | SCR S-TPG BRZ 3X6 | 27 |
| | | | | 68 | 411 099 9704 | SCR S-TPG BRZ 3X6 | 15 |
| | | | | 69 | 411 099 9803 | SCR S-TPG BRZ 3X8 | 11 |
| | | | | 70 | 411 020 5904 | SCR S-TPG BRZ 3X10 | 16 |
| | | | | 71 | 411 002 9005 | SCR PAN 3X8 | 2 |
| | | | | 72 | 411 020 8004 | SCR S-TPG BRZ 3X8 | 2 |
| | | | | C901 | 403 074 2701 | CERAMIC 0.047U Z 50V | 1 |
| | | | | C902 | 403 074 2701 | CERAMIC 0.047U Z 50V | 1 |
| CABINET & CHASSIS | | | | NOTES: | | | |
| | 4-2379-21520 | Terminal Lug | 2 | 1. Parts order must contain Model Number, Part Number and Description. | | | |
| | 141-2-4729-07100 | Wire Band | 20 | 2. Ordering quantity of screws and resistors must be multiple of 10 pcs. | | | |
| | 131-6-4559-11200 | Serial No. Sheet | 1 | | | | |
| 1 | 131-2-1410-35400 | Cover | 1 | | | | |
| 2 | 131-2-1601-69601 | Knob (Speaker Selector) | 2 | | | | |
| 3 | 131-2-1601-93303 | Knob (Power Switch) | 1 | | | | |
| 4 | 131-2-1601-93400 | Knob (Balance) | 1 | | | | |
| 5 | 131-2-1601-99800 | Knob Tact | 3 | | | | |
| 6 | 131-2-3202-13400 | Metal Reinforce | 2 | | | | |
| 7 | 131-2-3608-16413 | Filter | 1 | | | | |
| 8 | 131-2-5205-33300 | Cushion | 1 | | | | |
| 9 | 141-0-1129-29307 | Cabinet Front Assy | 1 | | | | |
| | 141-2-1129-56903 | Cabinet Front | 1 | | | | |
| | 141-2-1449-79902 | Plate Front | 1 | | | | |
| | 141-2-1319-52300 | Window | 1 | | | | |
| | 131-2-3608-16600 | Filter | 1 | | | | |
| | 141-2-1449-65014 | Plate Decorate | 1 | | | | |
| | 131-2-1601-99700 | Knob (Volume) | 1 | | | | |
| | 131-2-1601-91800 | Knob (Function) | 1 | | | | |
| | 4-2359-78079 | Connector 1P Assy | 1 | | | | |
| | 411 020 5508 | SCR S-TPG BRZ 2.6X6 | 1 | | | | |
| | 131-2-6113-52400 | Shelter | 1 | | | | |
| | 4-2352-02721 | Connector 1P Assy | 1 | | | | |
| 10 | 141-0-3519-26700 | Mount P.C.B. Assy | 1 | | | | |
| | 141-2-3519-84700 | Mount P.C.B. | 1 | | | | |
| | 141-2-1449-65110 | Screen LCD | 1 | | | | |
| | 141-2-3229-62500 | Plate Shield | 1 | | | | |
| | 4-2359-79034 | Connector 1P Assy | 1 | | | | |
| 11 | 141-2-1659-35900 | Knob Slide (Tone) | 2 | | | | |
| 12 | 141-2-1659-77800 | Knob Push (Tape-2 Monitor) | 1 | | | | |
| 13 | 141-2-3159-03300 | Bracket Cover | 1 | | | | |
| 14 | 131-2-4221-00600 | Rivet | 4 | | | | |
| 15 | 131-2-1410-34840 | Cover Heat Sink | 1 | | | | |
| 16 | 131-2-1801-14100 | Leg | 4 | | | | |
| 17 | 131-2-4201-17800 | Screw Ground | 1 | | | | |
| 18 | 131-2-5205-15800 | Cushion | 1 | | | | |
| 19 | 131-2-5205-35900 | Cushion | 1 | | | | |
| 20 | 131-2-6111-14200 | Bushing (4N-4) | 1 | | | | |
| 21 | 131-2-6201-36101 | Heat Sink | 1 | | | | |

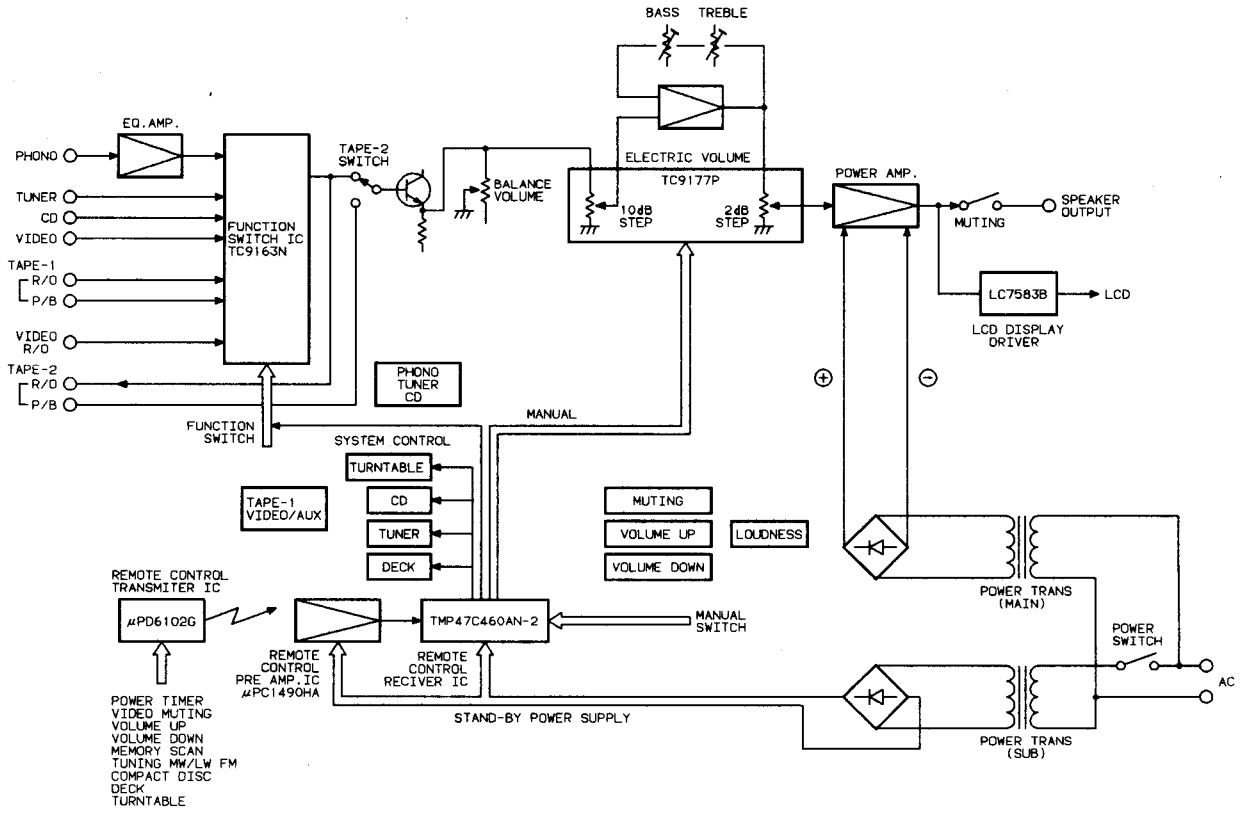
P.C.BOARD PARTS LIST

| Ref. No. | Part No. | Description | Q'ty | Ref. No. | Part No. | Description | Q'ty |
|--------------------------|------------------|----------------------------|------|----------|--------------|---------------------|------|
| INPUT P.C.B. ASSY | | | | R105 | 401 024 7707 | CARBON 100K JA 1/6W | 1 |
| 44 | 141-0-1939-23330 | Input P.C.B. Assy | 1 | R106 | 401 024 7707 | CARBON 100K JA 1/6W | 1 |
| | 4-2352-01700 | Pin Jack 4P (PHONE, TUNER) | 1 | R107 | 401 026 2700 | CARBON 300 JA 1/6W | 1 |
| | 4-2352-01700 | Pin Jack 4P (CD, VIDEO) | 1 | R108 | 401 026 2700 | CARBON 300 JA 1/6W | 1 |
| | 4-2352-01700 | Pin Jack 4P (TAPE-1) | 1 | R109 | 401 025 8703 | CARBON 220K JA 1/6W | 1 |
| | 4-2259-71080 | Crystal 4.194304MHz | 1 | R110 | 401 025 8703 | CARBON 220K JA 1/6W | 1 |
| | 4-2359-79429 | Connector 1P Assy | 1 | R111 | 401 025 1902 | CARBON 15K JA 1/6W | 1 |
| CN101 | 4-2362-00900 | Plug 8P | 1 | R112 | 401 025 1902 | CARBON 15K JA 1/6W | 1 |
| CN102 | 4-2352-02650 | Socket Jumper 4P | 1 | R113 | 401 024 7707 | CARBON 100K JA 1/6W | 1 |
| CN103 | 4-2369-73140 | Plug 4P | 1 | R114 | 401 024 7707 | CARBON 100K JA 1/6W | 1 |
| CN104 | 4-2369-73980 | Plug 4P | 1 | R115 | 401 024 7004 | CARBON 1K JA 1/6W | 1 |
| CN105 | 4-2369-76410 | Plug 4P | 1 | R116 | 401 024 7004 | CARBON 1K JA 1/6W | 1 |
| CN106 | 4-2369-73160 | Plug 6P | 1 | R117 | 401 024 7004 | CARBON 1K JA 1/6W | 1 |
| CN502 | 4-2359-79240 | Connector 8P Assy | 1 | R118 | 401 024 7004 | CARBON 1K JA 1/6W | 1 |
| D101 | 407 005 3805 | DIODE DS442-BT | 1 | R119 | 401 027 6103 | CARBON 680K JA 1/6W | 1 |
| D102 | 407 004 9105 | DIODE DSF10C-BT | 1 | R120 | 401 027 6103 | CARBON 680K JA 1/6W | 1 |
| or | 407 060 9606 | DIODE 11E2 | 1 | R121 | 401 024 7004 | CARBON 1K JA 1/6W | 1 |
| D103 | 407 008 7206 | DIODE MA700 | 1 | R122 | 401 024 7004 | CARBON 1K JA 1/6W | 1 |
| D104 | 407 005 3805 | DIODE DS442-BT | 1 | R123 | 401 027 6103 | CARBON 680K JA 1/6W | 1 |
| D106 | 407 008 7206 | DIODE MA700 | 1 | R124 | 401 027 6103 | CARBON 680K JA 1/6W | 1 |
| IC101 | 409 070 4800 | IC NJM2068DD | 1 | R125 | 401 024 7004 | CARBON 1K JA 1/6W | 1 |
| IC102 | 409 072 0909 | IC TC9163N | 1 | R126 | 401 024 7004 | CARBON 1K JA 1/6W | 1 |
| IC103 | 410 014 9904 | IC TMP47C460AN-2 | 1 | R127 | 401 026 4902 | CARBON 330K JA 1/6W | 1 |
| Q101 | 405 004 4502 | TR 2SA608-F-NP | 1 | R128 | 401 026 4902 | CARBON 330K JA 1/6W | 1 |
| Q102 | 405 019 2708 | TR 2SC536-F-NP | 1 | R129 | 401 024 7004 | CARBON 1K JA 1/6W | 1 |
| Q103 | 405 004 4502 | TR 2SA608-F-NP | 1 | R130 | 401 024 7004 | CARBON 1K JA 1/6W | 1 |
| Q104 | 405 019 2708 | TR 2SC536-F-NP | 1 | R131 | 401 025 8703 | CARBON 220K JA 1/6W | 1 |
| C101 | 403 023 5807 | CERAMIC 330P K 50V | 1 | R132 | 401 025 8703 | CARBON 220K JA 1/6W | 1 |
| C102 | 403 023 5807 | CERAMIC 330P K 50V | 1 | R133 | 401 024 7004 | CARBON 1K JA 1/6W | 1 |
| C103 | 403 023 5807 | CERAMIC 330P K 50V | 1 | R134 | 401 024 7004 | CARBON 1K JA 1/6W | 1 |
| C104 | 403 023 5807 | CERAMIC 330P K 50V | 1 | R135 | 401 027 9005 | CARBON 82K JA 1/6W | 1 |
| C105 | 403 047 1502 | ELECT 4.7U M 25V | 1 | R136 | 401 027 9005 | CARBON 82K JA 1/6W | 1 |
| C106 | 403 047 1502 | ELECT 4.7U M 25V | 1 | R137 | 401 016 2604 | CARBON 220 JA 1/4W | 1 |
| C107 | 403 018 8509 | CERAMIC 220P K 50V | 1 | R138 | 401 016 2604 | CARBON 220 JA 1/4W | 1 |
| C108 | 403 018 8509 | CERAMIC 220P K 50V | 1 | R141 | 401 020 0801 | CARBON 470 JA 1/4W | 1 |
| C109 | 403 039 2906 | ELECT 47U M 6.3V | 1 | R142 | 401 026 4308 | CARBON 3.3K JA 1/6W | 1 |
| C110 | 403 039 2906 | ELECT 47U M 6.3V | 1 | R143 | 401 025 7805 | CARBON 2.2K JA 1/6W | 1 |
| C111 | 403 059 0401 | POLYESTER 0.018U K 50V | 1 | R144 | 401 025 0608 | CARBON 1.3K JA 1/6W | 1 |
| C112 | 403 059 0401 | POLYESTER 0.018U K 50V | 1 | R145 | 401 024 7400 | CARBON 10K JA 1/6W | 1 |
| C113 | 403 061 8709 | POLYESTER 4700P K 50V | 1 | R146 | 401 024 6700 | CARBON 100 JA 1/6W | 1 |
| C114 | 403 061 8709 | POLYESTER 4700P K 50V | 1 | R147 | 401 024 7707 | CARBON 100K JA 1/6W | 1 |
| C115 | 403 047 1502 | ELECT 4.7U M 25V | 1 | R148 | 401 024 7400 | CARBON 10K JA 1/6W | 1 |
| C116 | 403 047 1502 | ELECT 4.7U M 25V | 1 | R149 | 401 024 7400 | CARBON 10K JA 1/6W | 1 |
| C119 | 403 045 0507 | ELECT 100U M 25V | 1 | R150 | 401 024 7400 | CARBON 10K JA 1/6W | 1 |
| C120 | 403 045 0507 | ELECT 100U M 25V | 1 | R151 | 401 024 7400 | CARBON 10K JA 1/6W | 1 |
| C141 | 403 074 2701 | CERAMIC 0.047U Z 50V | 1 | R152 | 401 024 7400 | CARBON 10K JA 1/6W | 1 |
| C143 | 403 042 0302 | ELECT 10U M 16V | 1 | R153 | 401 024 7400 | CARBON 10K JA 1/6W | 1 |
| C144 | 403 069 8404 | CERAMIC 0.01U Z 50V | 1 | R154 | 401 024 7400 | CARBON 10K JA 1/6W | 1 |
| C145 | 403 043 3104 | ELECT 2200U M 16V | 1 | R155 | 401 024 7400 | CARBON 10K JA 1/6W | 1 |
| C146 | 403 048 7602 | ELECT 0.47U M 50V | 1 | R156 | 401 024 7400 | CARBON 10K JA 1/6W | 1 |
| C147 | 403 049 1609 | ELECT 1U M 50V | 1 | R157 | 401 024 7400 | CARBON 10K JA 1/6W | 1 |
| C148 | 403 018 4204 | CERAMIC 22P K 50V | 1 | R158 | 401 024 7400 | CARBON 10K JA 1/6W | 1 |
| C149 | 403 018 4204 | CERAMIC 22P K 50V | 1 | R159 | 401 024 7400 | CARBON 10K JA 1/6W | 1 |
| C150 | 403 057 0908 | POLYESTER 0.01U K 50V | 1 | R160 | 401 024 7400 | CARBON 10K JA 1/6W | 1 |
| C151 | 403 073 6502 | CERAMIC 470P K 50V | 1 | R161 | 401 024 7400 | CARBON 10K JA 1/6W | 1 |
| C152 | 403 073 6502 | CERAMIC 470P K 50V | 1 | R162 | 401 024 7400 | CARBON 10K JA 1/6W | 1 |
| C153 | 403 073 6502 | CERAMIC 470P K 50V | 1 | R163 | 401 024 7400 | CARBON 10K JA 1/6W | 1 |
| C154 | 403 073 6502 | CERAMIC 470P K 50V | 1 | R164 | 401 014 4105 | CARBON 1.5K JA 1/4W | 1 |
| C160 | 403 074 2701 | CERAMIC 0.047U Z 50V | 1 | R165 | 401 024 7400 | CARBON 10K JA 1/6W | 1 |
| C161 | 403 074 2701 | CERAMIC 0.047U Z 50V | 1 | R166 | 401 024 7400 | CARBON 10K JA 1/6W | 1 |
| C162 | 403 074 2701 | CERAMIC 0.047U Z 50V | 1 | R167 | 401 024 7400 | CARBON 10K JA 1/6W | 1 |
| C163 | 403 018 8509 | CERAMIC 220P K 50V | 1 | R168 | 401 024 7400 | CARBON 10K JA 1/6W | 1 |
| R101 | 401 024 7004 | CARBON 1K JA 1/6W | 1 | R169 | 401 024 7400 | CARBON 10K JA 1/6W | 1 |
| R102 | 401 024 7004 | CARBON 1K JA 1/6W | 1 | R172 | 401 012 7009 | CARBON 10K JA 1/4W | 1 |
| R103 | 401 024 7707 | CARBON 100K JA 1/6W | 1 | R173 | 401 024 7400 | CARBON 10K JA 1/6W | 1 |
| R104 | 401 024 7707 | CARBON 100K JA 1/6W | 1 | R174 | 401 024 7400 | CARBON 10K JA 1/6W | 1 |

P.C.BOARD PARTS LIST(Continued)

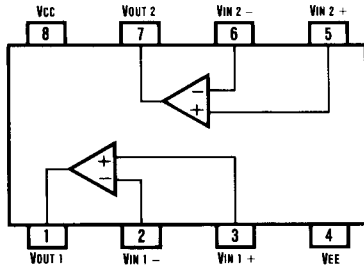
| Ref. No. | Part No. | Description | Q'ty | Ref. No. | Part No. | Description | Q'ty |
|----------|--------------|---------------------|------|----------|--------------|------------------------|------|
| D527 | 407 004 9105 | DIODE DSF10C-BT | 1 | C530 | 4-2239-72120 | Ceram 220PF 500V K | 1 |
| or | 407 060 9606 | DIODE 11E2 | 1 | C531 | 403 061 4404 | POLYESTER 0.039U K 50V | 1 |
| D529 | 407 005 4703 | DIODE DS446 | 1 | C532 | 403 061 4404 | POLYESTER 0.039U K 50V | 1 |
| D530 | 407 005 4703 | DIODE DS446 | 1 | C533 | 403 085 3407 | NP-ELECT 47U M 10V | 1 |
| D531 | 407 005 4703 | DIODE DS446 | 1 | C534 | 403 044 8207 | ELECT 10U M 25V | 1 |
| D532 | 407 005 4703 | DIODE DS446 | 1 | C537 | 403 041 3304 | ELECT 47U M 10V | 1 |
| D533 | 407 061 3207 | DIODE 30D2 | 1 | C538 | 403 039 4504 | ELECT 470U M 6.3V | 1 |
| D534 | 407 061 3207 | DIODE 30D2 | 1 | C539 | 403 044 8207 | ELECT 10U M 25V | 1 |
| D535 | 407 003 5504 | DIODE DBA10C | 1 | C541 | 403 044 8207 | ELECT 10U M 25V | 1 |
| D536 | 407 049 6503 | ZENER DIODE GZA13X | 1 | C542 | 403 044 8207 | ELECT 10U M 25V | 1 |
| Q501 | 405 011 0306 | TR 2SC1583-F | 1 | C543 | 403 044 8207 | ELECT 10U M 25V | 1 |
| Q502 | 405 011 0306 | TR 2SC1583-F | 1 | C544 | 403 044 8207 | ELECT 10U M 25V | 1 |
| Q503 | 405 004 4502 | TR 2SA608-F-NP | 1 | C545 | 403 045 0507 | ELECT 100U M 25V | 1 |
| Q504 | 405 004 4502 | TR 2SA608-F-NP | 1 | C546 | 403 045 0507 | ELECT 100U M 25V | 1 |
| Q505 | 405 013 7600 | TR 2SC2291-F | 1 | C547 | 404 012 5709 | ELECT 4700U M 40V | 1 |
| Q506 | 405 013 7600 | TR 2SC2291-F | 1 | C548 | 404 012 5709 | ELECT 4700U M 40V | 1 |
| Q507 | 405 002 9103 | TR 2SA1209-S | 1 | C549 | 404 012 6904 | CERAMIC 0.047U Z 150V | 1 |
| Q508 | 405 002 9103 | TR 2SA1209-S | 1 | C550 | 404 012 6904 | CERAMIC 0.047U Z 150V | 1 |
| Q509 | 405 016 3906 | TR 2SC2911-S | 1 | C551 | 404 012 6904 | CERAMIC 0.047U Z 150V | 1 |
| Q510 | 405 016 3906 | TR 2SC2911-S | 1 | C552 | 404 012 6904 | CERAMIC 0.047U Z 150V | 1 |
| Q511 | 405 017 2502 | TR 2SC3117-R | 1 | C553 | 404 012 6904 | CERAMIC 0.047U Z 150V | 1 |
| Q512 | 405 017 2502 | TR 2SC3117-R | 1 | C554 | 404 012 6904 | CERAMIC 0.047U Z 150V | 1 |
| Q513 | 405 003 1502 | TR 2SA1249-R | 1 | C555 | 404 012 6904 | CERAMIC 0.047U Z 150V | 1 |
| Q514 | 405 003 1502 | TR 2SA1249-R | 1 | C556 | 404 012 6904 | CERAMIC 0.047U Z 150V | 1 |
| Q519 | 405 019 2708 | TR 2SC536-F-NP | 1 | C557 | 4-2239-70970 | Capacitor 0.01MF400V | 1 |
| Q520 | 405 019 2708 | TR 2SC536-F-NP | 1 | C558 | 403 043 4903 | ELECT 33U M 16V | 1 |
| Q521 | 405 003 7900 | TR 2SA1348 | 1 | C559 | 404 031 7302 | ELECT 8200U M 85V | 1 |
| or | 405 034 6804 | TR DTA114-ES | 1 | C560 | 404 031 7302 | ELECT 8200U M 85V | 1 |
| Q522 | 405 004 4502 | TR 2SA608-F-NP | 1 | C562 | 403 049 1609 | ELECT 1U M 50V | 1 |
| Q523 | 405 019 2708 | TR 2SC536-F-NP | 1 | C563 | 4-2239-72120 | Ceram 220PF 500V K | 1 |
| Q526 | 405 007 5100 | TR 2SB560-E-MP | 1 | C564 | 4-2239-72120 | Ceram 220PF 500V K | 1 |
| Q527 | 405 019 2708 | TR 2SC536-F-NP | 1 | C565 | 403 075 8504 | CERAMIC 120P K 500V | 1 |
| Q529 | 405 016 2206 | TR 2SC2878-A | 1 | C566 | 403 075 8504 | CERAMIC 120P K 500V | 1 |
| Q530 | 405 016 2206 | TR 2SC2878-A | 1 | C567 | 403 067 5603 | MT-COMPO 0.1U J 50V | 1 |
| Q531 | 405 019 2708 | TR 2SC536-F-NP | 1 | C568 | 403 067 5603 | MT-COMPO 0.1U J 50V | 1 |
| Q541 | 405 013 6801 | TR 2SC2274-E | 1 | C570 | 403 049 5409 | ELECT 10U M 50V | 1 |
| Q542 | 405 006 6504 | TR 2SA984-E | 1 | C571 | 403 074 2701 | CERAMIC 0.047U Z 50V | 1 |
| Q543 | 405 007 7906 | TR 2SB631-E | 1 | C572 | 403 074 2701 | CERAMIC 0.047U Z 50V | 1 |
| Q544 | 405 024 2809 | TR 2SD600-E | 1 | C573 | 403 074 2701 | CERAMIC 0.047U Z 50V | 1 |
| C501 | 403 071 5903 | CERAMIC 220P K 50V | 1 | C574 | 403 074 2701 | CERAMIC 0.047U Z 50V | 1 |
| C502 | 403 071 5903 | CERAMIC 220P K 50V | 1 | C575 | 403 050 9908 | ELECT 330U M 50V | 1 |
| C503 | 403 047 1502 | ELECT 4.7U M 25V | 1 | R501 | 401 024 7004 | CARBON 1K JA 1/6W | 1 |
| C504 | 403 047 1502 | ELECT 4.7U M 25V | 1 | R502 | 401 024 7004 | CARBON 1K JA 1/6W | 1 |
| C505 | 403 023 5807 | CERAMIC 330P K 50V | 1 | R503 | 401 024 7707 | CARBON 100K JA 1/6W | 1 |
| C506 | 403 023 5807 | CERAMIC 330P K 50V | 1 | R504 | 401 024 7707 | CARBON 100K JA 1/6W | 1 |
| C507 | 403 023 5807 | CERAMIC 330P K 50V | 1 | R505 | 401 027 2600 | CARBON 5.6K JA 1/6W | 1 |
| C508 | 403 023 5807 | CERAMIC 330P K 50V | 1 | R506 | 401 027 2600 | CARBON 5.6K JA 1/6W | 1 |
| C509 | 403 039 2906 | ELECT 47U M 6.3V | 1 | R507 | 401 027 5908 | CARBON 68K JA 1/6W | 1 |
| C510 | 403 039 2906 | ELECT 47U M 6.3V | 1 | R508 | 401 027 5908 | CARBON 68K JA 1/6W | 1 |
| C511 | 4-2239-71190 | Capacitor 27PF 500V | 1 | R509 | 401 025 6204 | CARBON 2K JA 1/6W | 1 |
| C512 | 4-2239-71190 | Capacitor 27PF 500V | 1 | R510 | 401 025 6204 | CARBON 2K JA 1/6W | 1 |
| C513 | 4-2239-72020 | Ceram 3 PF 500V | 1 | R511 | 401 027 8602 | CARBON 8.2K JA 1/6W | 1 |
| C514 | 4-2239-72020 | Ceram 3 PF 500V | 1 | R512 | 401 027 8602 | CARBON 8.2K JA 1/6W | 1 |
| C515 | 403 067 5603 | MT-COMPO 0.1U J 50V | 1 | R513 | 401 027 2105 | CARBON 56 JA 1/6W | 1 |
| C516 | 403 067 5603 | MT-COMPO 0.1U J 50V | 1 | R514 | 401 027 2105 | CARBON 56 JA 1/6W | 1 |
| C517 | 4-2239-71120 | Capacitor 18PF 500V | 1 | R515 | 401 026 7408 | CARBON 39K JA 1/6W | 1 |
| C518 | 4-2239-71120 | Capacitor 18PF 500V | 1 | R516 | 401 026 7408 | CARBON 39K JA 1/6W | 1 |
| C519 | 403 054 9706 | ELECT 47U M 100V | 1 | R517 | 401 027 8602 | CARBON 8.2K JA 1/6W | 1 |
| C520 | 403 054 9706 | ELECT 47U M 100V | 1 | R518 | 401 027 8602 | CARBON 8.2K JA 1/6W | 1 |
| C521 | 403 054 9706 | ELECT 47U M 100V | 1 | R519 | 401 027 2105 | CARBON 56 JA 1/6W | 1 |
| C522 | 403 054 9706 | ELECT 47U M 100V | 1 | R520 | 401 027 2105 | CARBON 56 JA 1/6W | 1 |
| C523 | 403 049 1609 | ELECT 1U M 50V | 1 | R521 | 401 026 4605 | CARBON 33K JA 1/6W | 1 |
| C524 | 403 049 1609 | ELECT 1U M 50V | 1 | R522 | 401 026 4605 | CARBON 33K JA 1/6W | 1 |
| C527 | 4-2239-72120 | Ceram 220PF 500V K | 1 | R523 | 402 015 5603 | FUSIBLE RES 82 J- 1/4W | 1 |
| C528 | 4-2239-72120 | Ceram 220PF 500V K | 1 | R524 | 402 015 5603 | FUSIBLE RES 82 J- 1/4W | 1 |
| C529 | 4-2239-72120 | Ceram 220PF 500V K | 1 | R525 | 402 015 9700 | FUSIBLE RES 82 J- 1/4W | 1 |

FUNCTIONAL BLOCK DIAGRAM

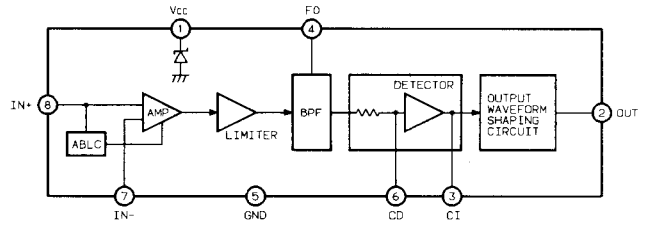


INTEGRATED CIRCUIT BLOCK DIAGRAM

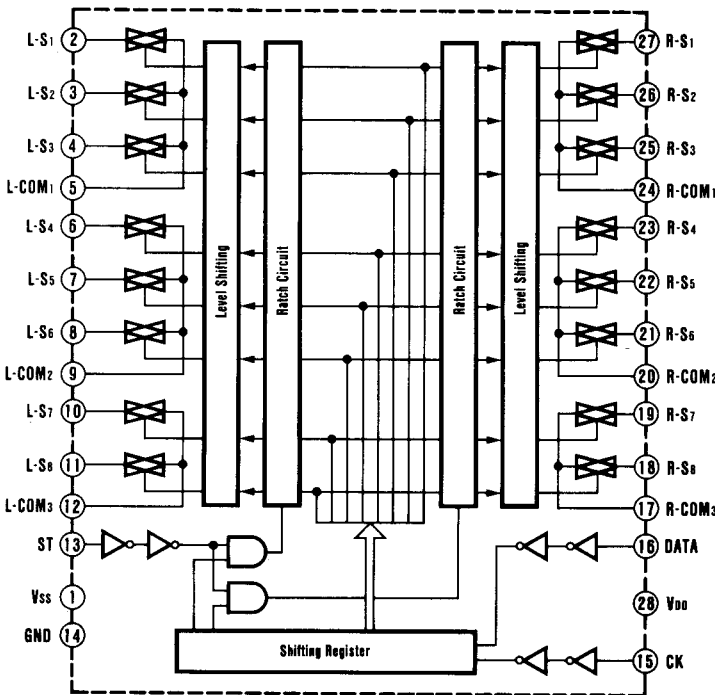
PHONO EQ. / TONE CONTROL AMP IC NJM 2068 DD



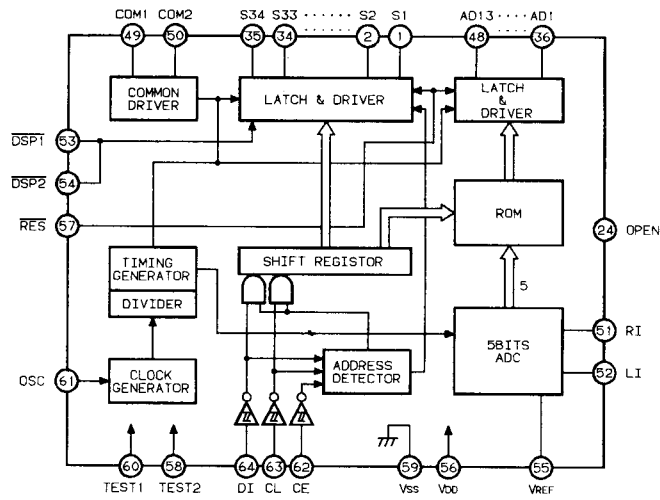
REMOTE CONTROL PRE AMP IC μ PC 1490 HA



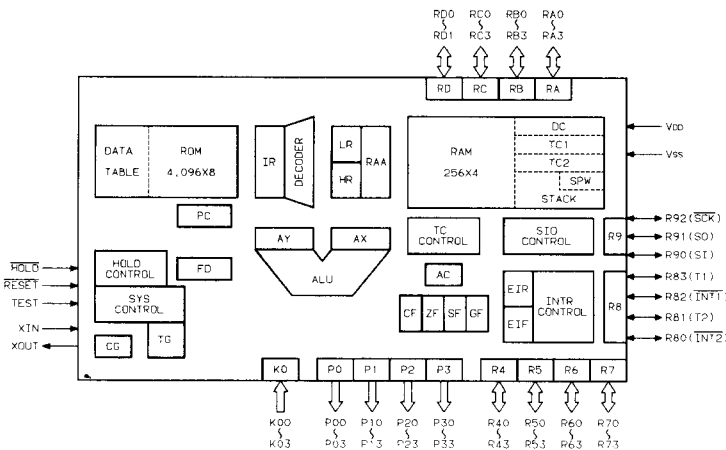
FUNCTION ANALOG SWITCH IC TC 9163 N



LCD DISPLAY DRIVER AMP IC LC 7583 B

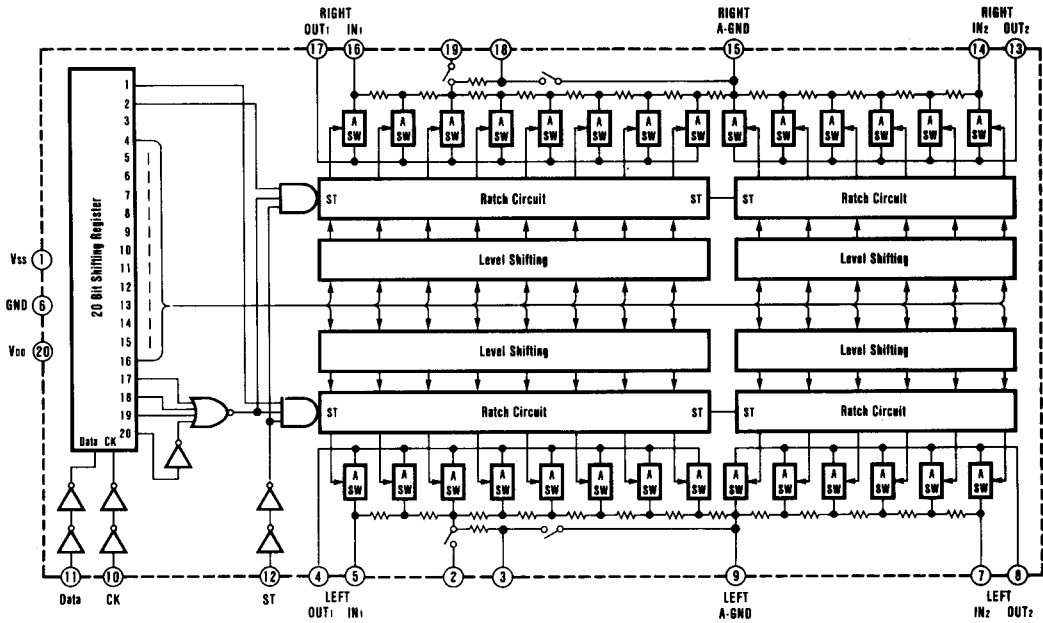


REMOTE CONTROL RECEIVER IC TMP 47C460AN-2

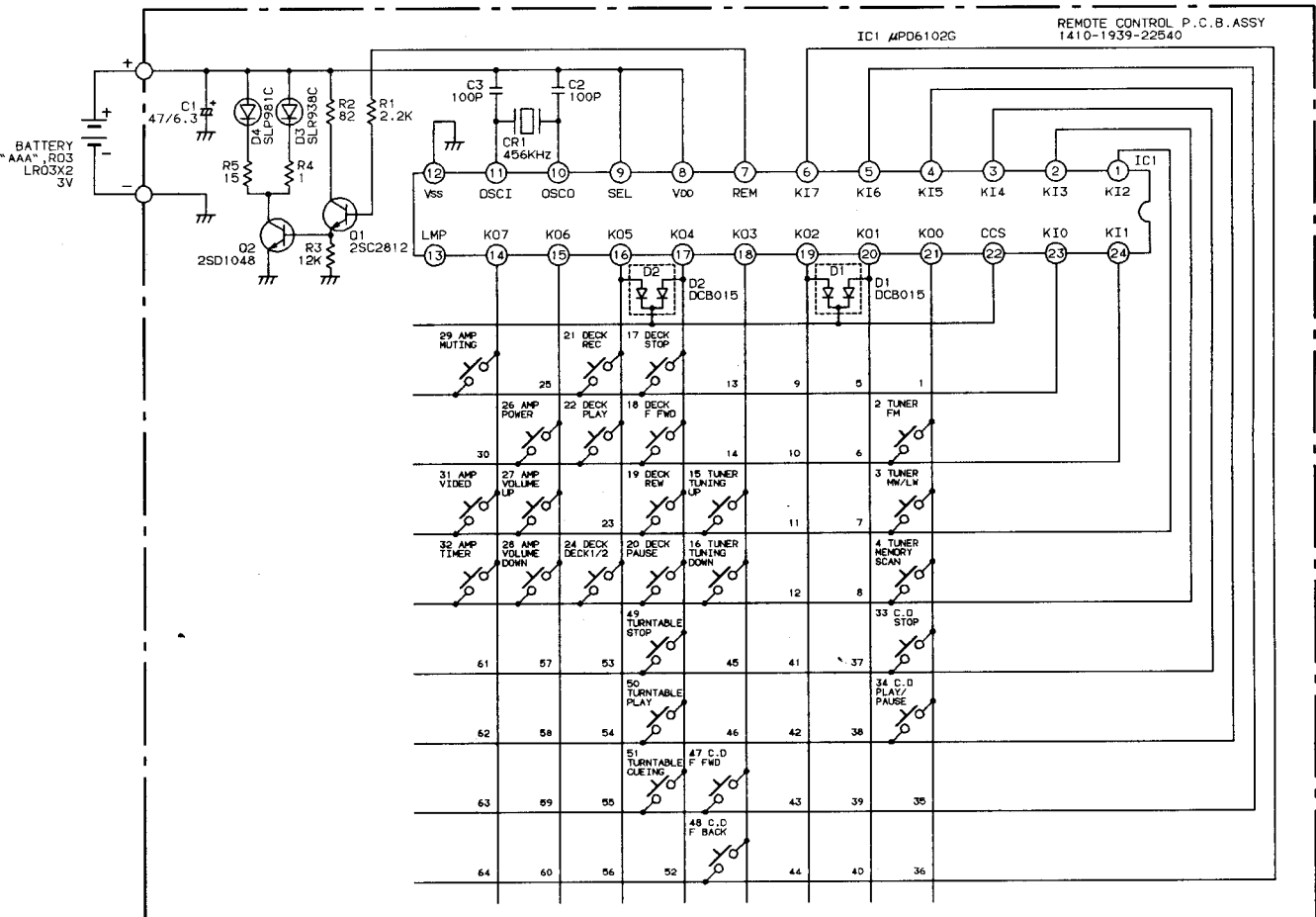


INTEGRATED CIRCUIT BLOCK DIAGRAM(Continued)

ELECTRONIC VOLUME (with Loudness) IC TC 9177P

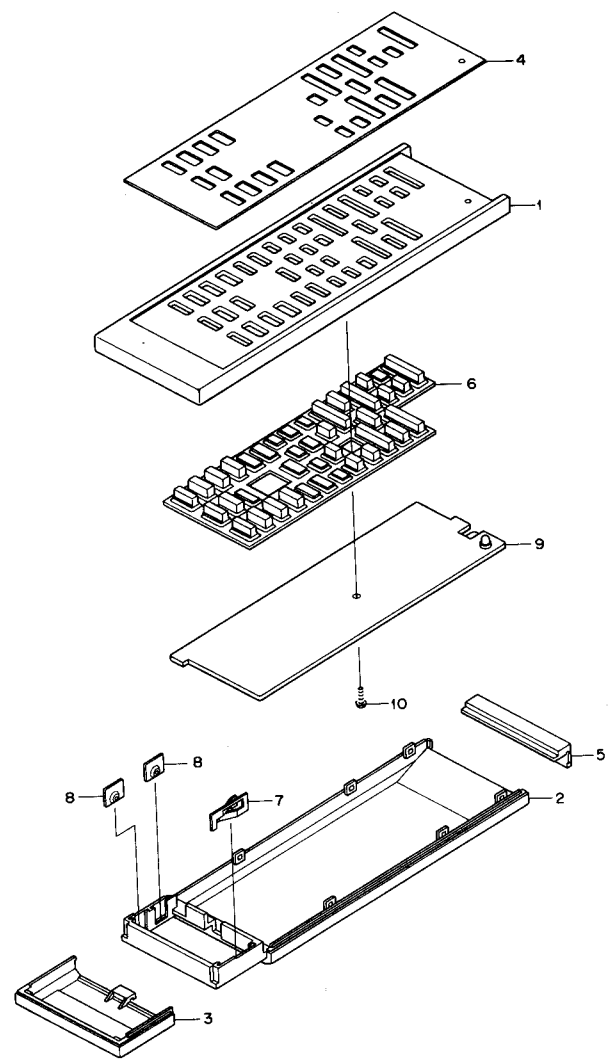


SCHEMATIC DIAGRAM (REMOTE CONTROL)



PARTS LIST & EXPLODED VIEW (REMOTE CONTROL)

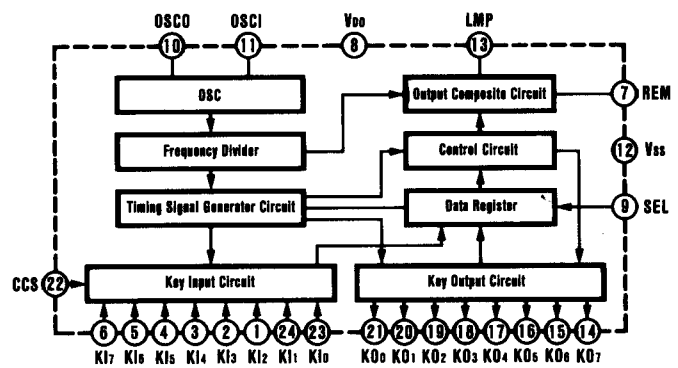
| Ref. No. | Part No. | Description | Q'ty |
|-----------------------------------|------------------|----------------------------|------|
| REMOTE CONTROL CABINET | | | |
| | 4-1929-70266 | REM-874 (Remote Control) | 1 |
| 1 | 131-2-1101-53300 | Cabinet Top | 1 |
| 2 | 131-2-1101-53400 | Cabinet Bottom | 1 |
| 3 | 131-2-1107-27800 | Lid Battery | 1 |
| 4 | 131-2-1110-43006 | Plate Decorate | 1 |
| 5 | 131-2-6308-26700 | Filter | 1 |
| 6 | 141-2-1669-02601 | Knob Rubber (25Key) | 1 |
| 7 | 141-2-3829-49700 | Spring Battery | 1 |
| 8 | 141-2-3829-49800 | Terminal Anode | 2 |
| 9 | 141-0-1939-22540 | Remote Control P.C.B. Assy | 1 |
| REMOTE CONTROL P.C.B. ASSY | | | |
| 9 | 141-0-1939-22540 | Remote Control P.C.B. Assy | 1 |
| CR1 | 4-2279-70101 | Ceramic OSC 456KHz | 1 |
| D1 | 407 004 0706 | DIODE DCB015-TA | 1 |
| D2 | 407 004 0706 | DIODE DCB015-TA | 1 |
| D3 | 407 040 4003 | LED SLR-938C | 1 |
| D4 | 407 036 6301 | LED SLP-981C-50 | 1 |
| IC1 | 409 060 1604 | IC UPD6102G | 1 |
| Q1 | 405 015 8704 | TR 2SC2812-L6-TA | 1 |
| Q2 | 405 021 2505 | TR 2SD1048-X8-TA | 1 |
| C1 | 403 039 2906 | ELECT 47U M 6.3V | 1 |
| C2 | 403 068 9709 | CERAMIC 100P K 50V | 1 |
| C3 | 403 068 9709 | CERAMIC 100P K 50V | 1 |
| R1 | 402 024 1207 | MT-GLAZE 2.2K JA 1/8W | 1 |
| R2 | 402 033 8402 | MT-GLAZE 82 JA 1/8W | 1 |
| R3 | 402 033 8501 | MT-GLAZE 12K JA 1/8W | 1 |
| R4 | 402 033 8303 | MT-GLAZE 1 JA 1/8W | 1 |
| R5 | 402 022 9106 | MT-GLAZE 15 JA 1/8W | 1 |



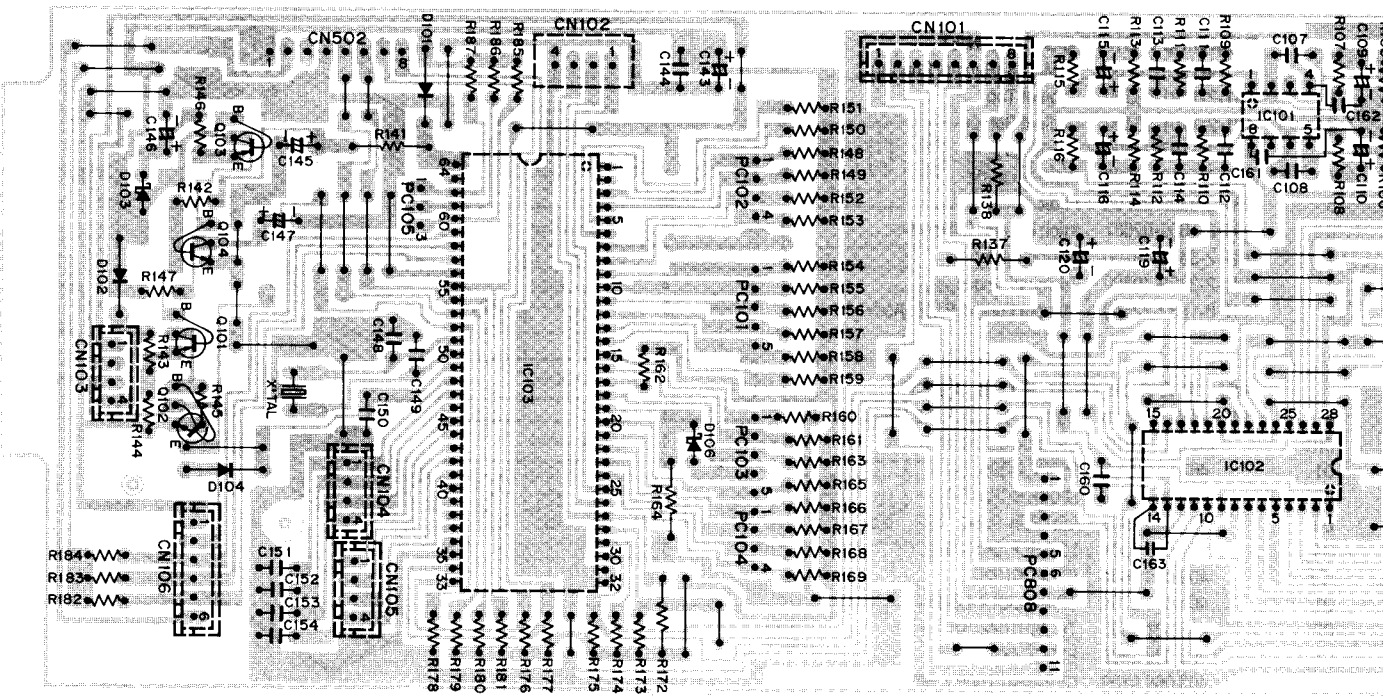
- NOTES:**
- Parts order must contain Model Number, Part Number and Description.
 - Ordering quantity of screws and resistors must be multiple of 10 pcs.

INTEGRATED CIRCUIT BLOCK DIAGRAM

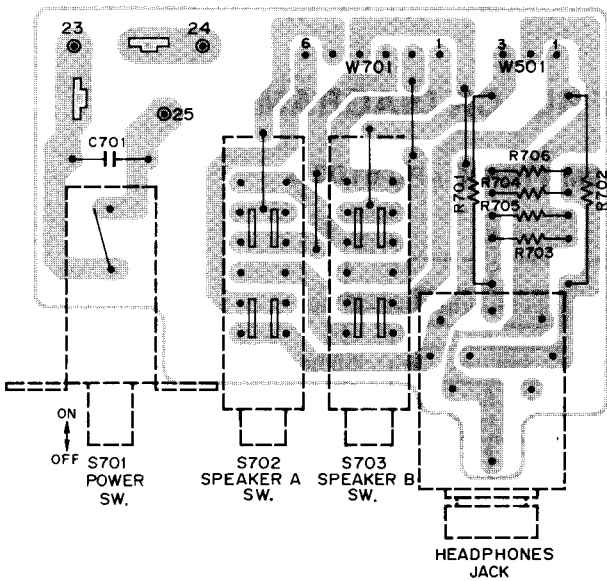
REMOTE CONTROL TRANSMITTER IC μ PD 6102 G



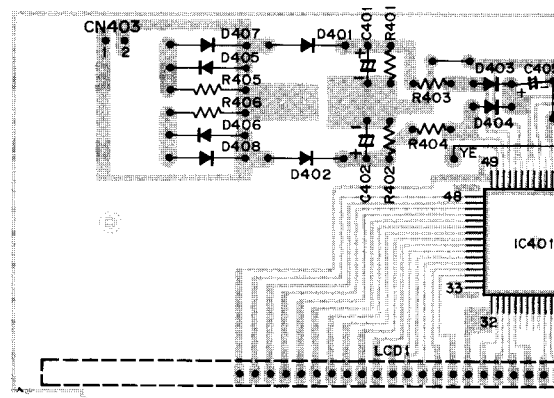
INPUT PRINTED CIRCUIT BOARD (BOTTOM VIEW)



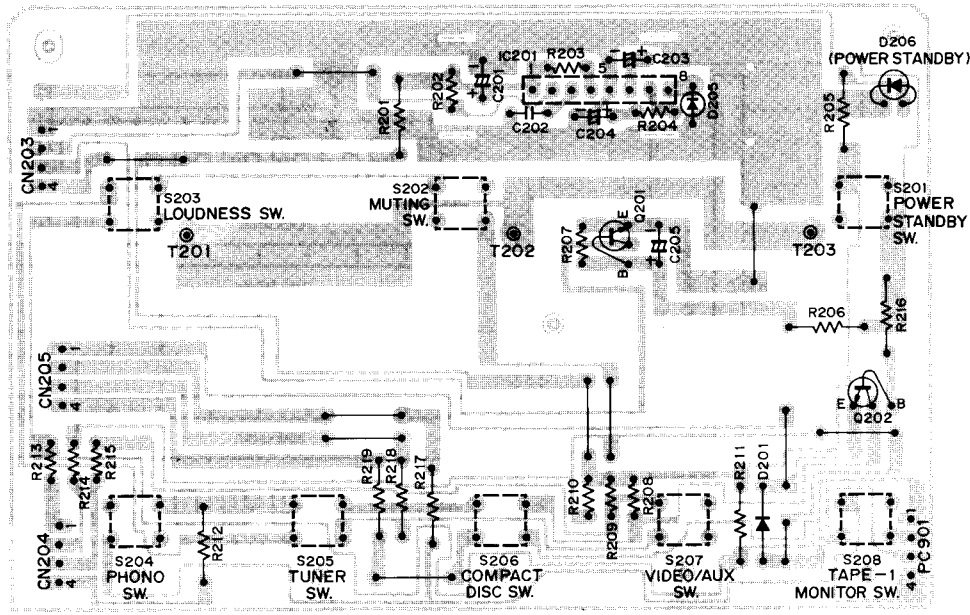
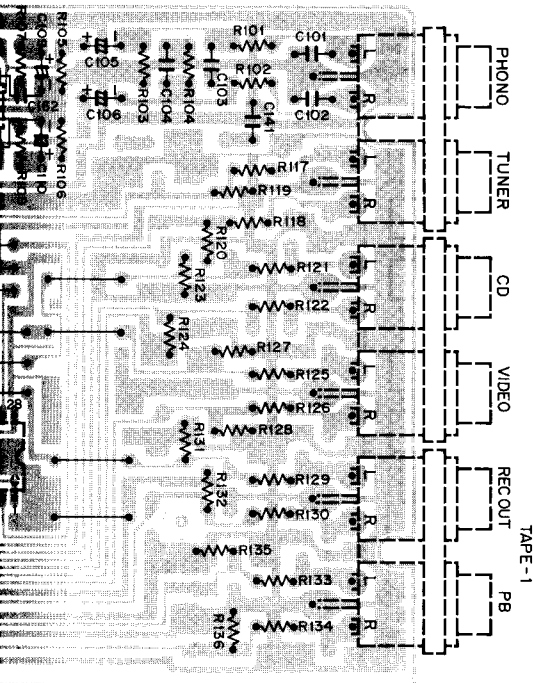
POWER SWITCH P.C.BOARD (BOTTOM VIEW)



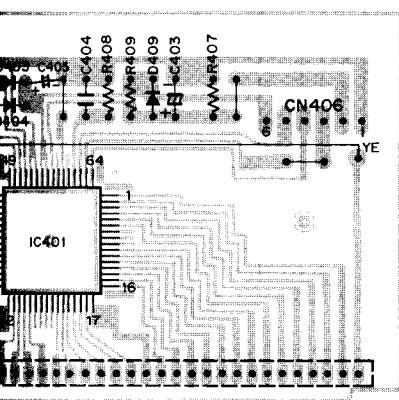
LCD P.C. BOARD (BOTTOM VIEW)



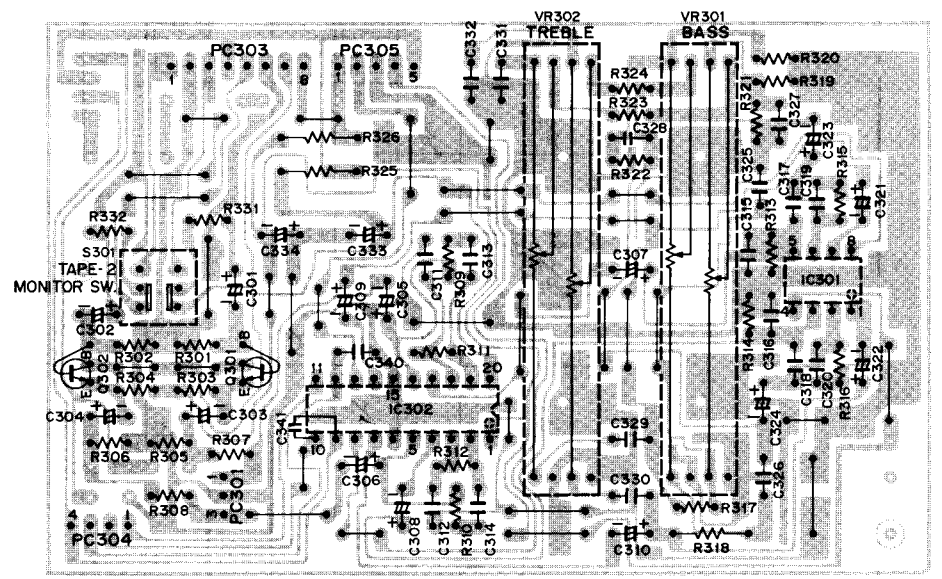
CONTROL P.C. BOARD (BOTTOM VIEW)



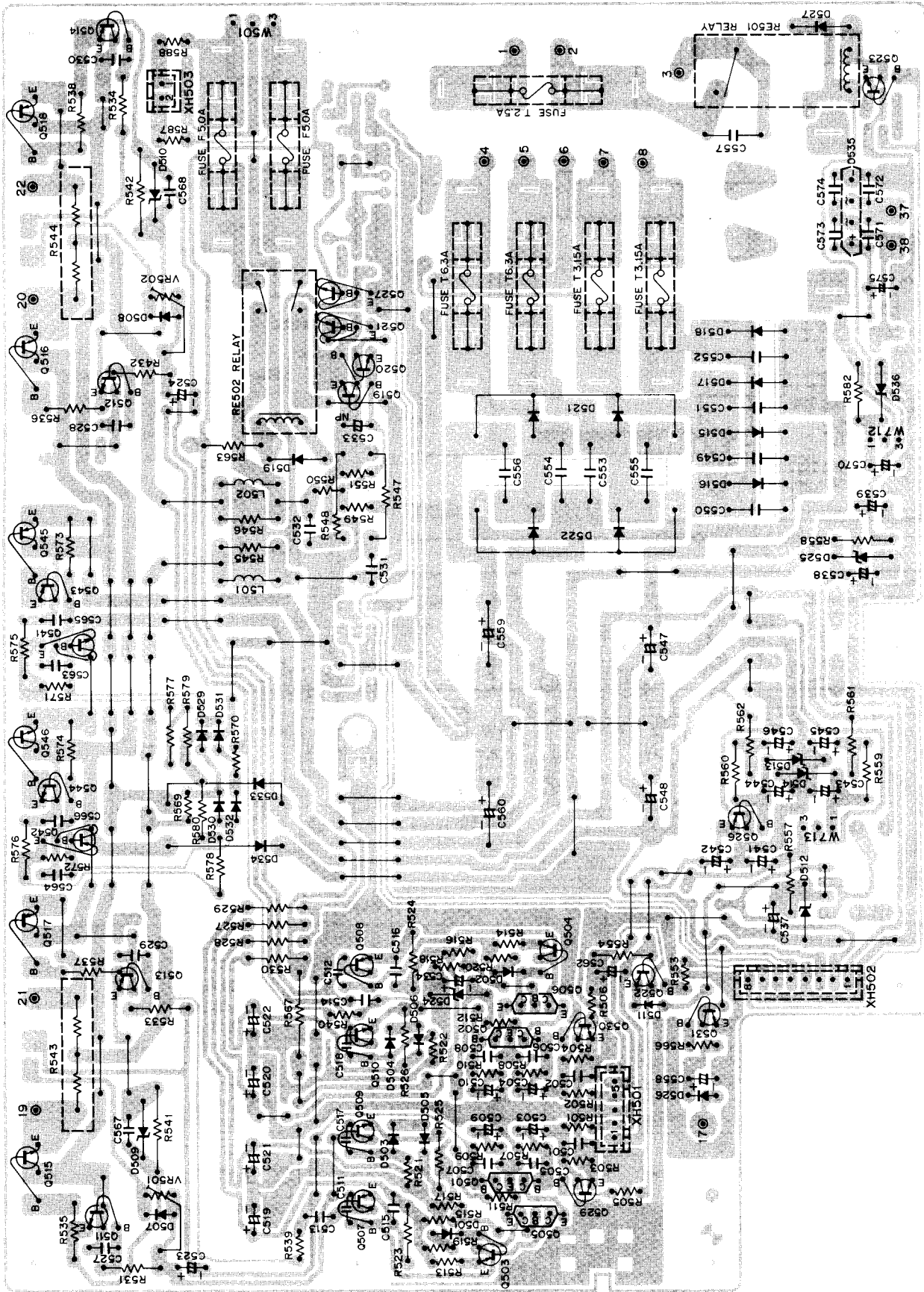
BOARD (VIEW)



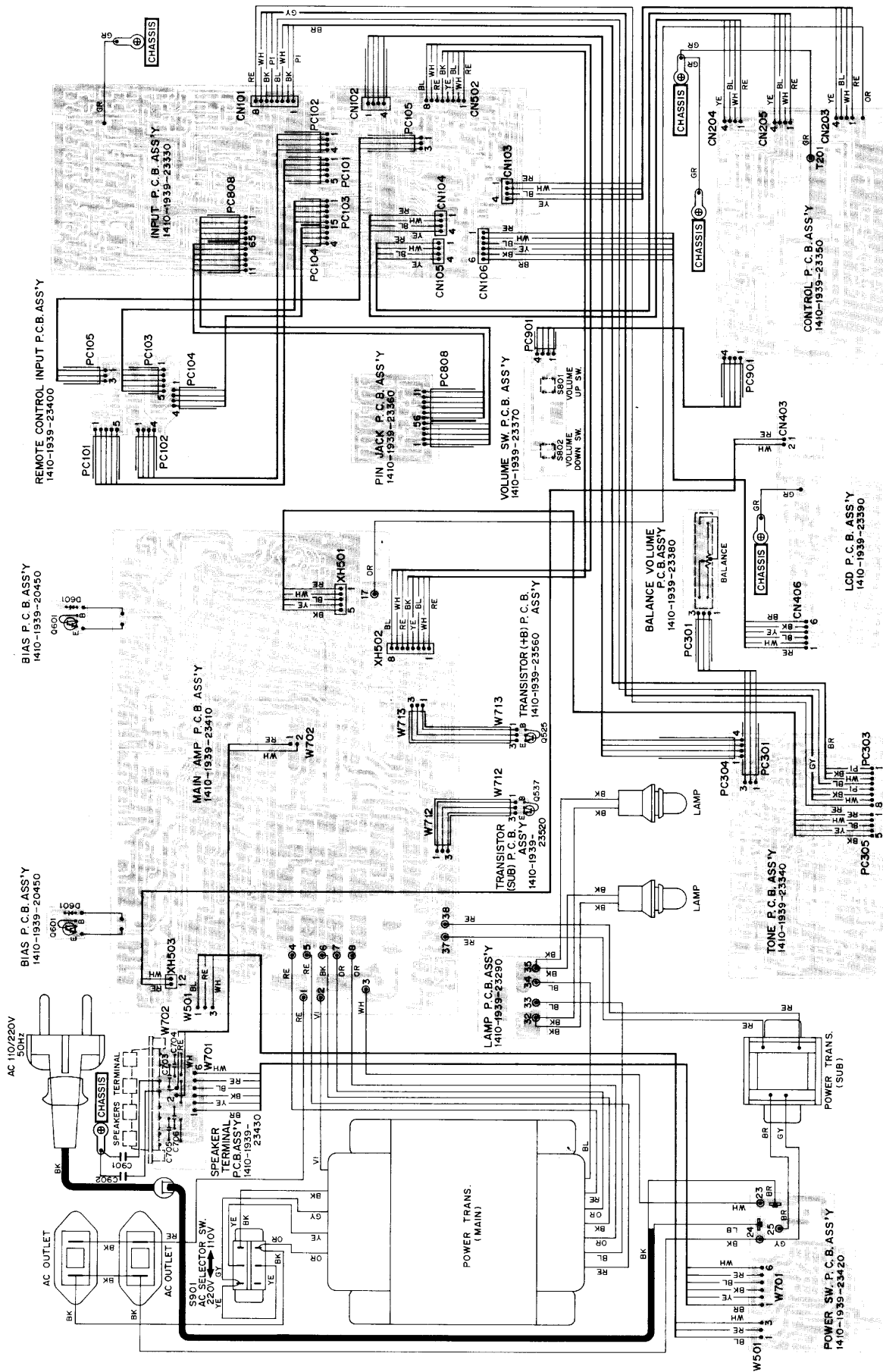
TONE P.C. BOARD (BOTTOM VIEW)



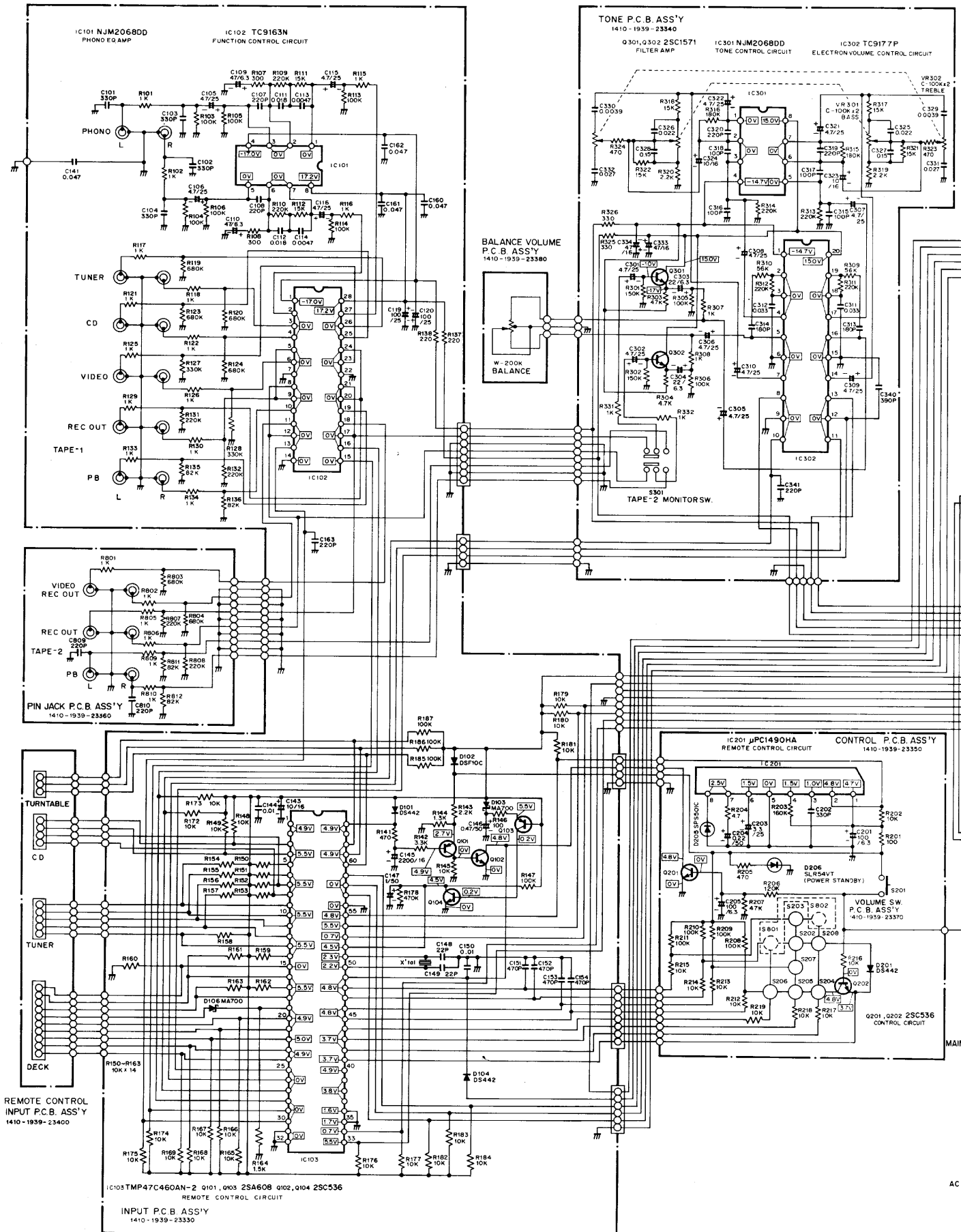
MAIN AMPLIFIER PRINTED CIRCUIT BOARD (BOTTOM VIEW)



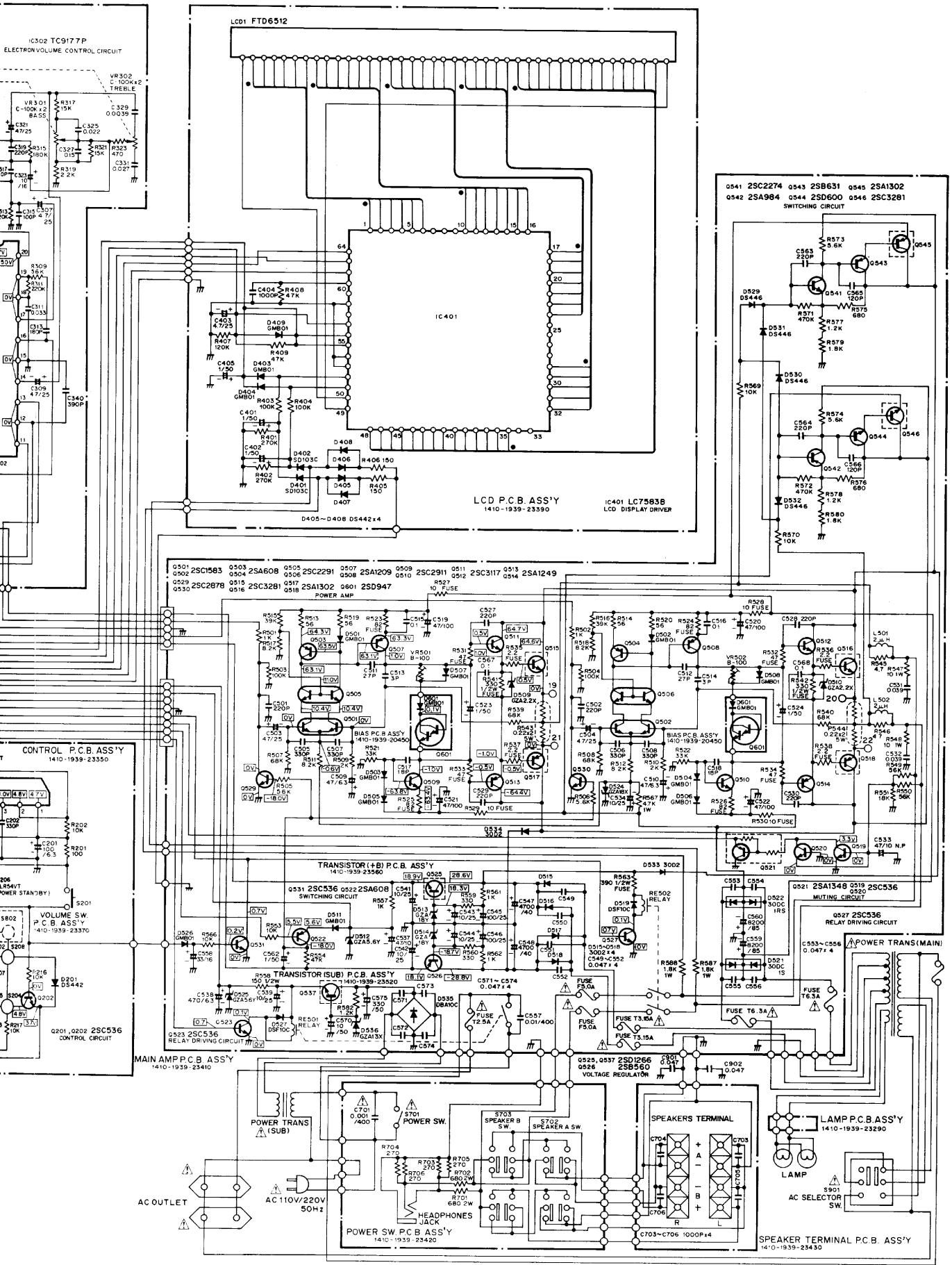
POINT TO POINT WIRING DIAGRAM



SCHEMATIC DIAGRAM



SCHEMATIC DIAGRAM



SEMICONDUCTOR LEAD IDENTIFICATION

| TRANSISTOR | FRONT VIEW | BOTTOM VIEW | TRANSISTOR | FRONT VIEW | BOTTOM VIEW |
|---|------------|-------------|--|------------|-------------|
| 2SA 608 2SA 984 2SB 560 2SC 538 2SC 1571 2SC 2274 2SC 2878 | | | 2SA 1302 2SC 3281 | | |
| 2SD 1266 | | | 2SC 2291 | | |
| 2SA 1209 2SA 1249 2SB 631 2SC 2911 2SC 3117 2SD 600 2SD 947 | | | 2SA 1348 | | |
| 2SC 1583 | | | TERMINAL NAME | | |
| | | | B → BASE C → COLLECTOR E → EMITTER | | |

SWITCH POSITION TABLE

| No. | Name | Position | No. | Name | Position |
|------|-----------------------|----------|------|-----------------------|----------|
| S201 | POWER STANDBY Switch | OFF | S301 | TAPE-2 MONITOR Switch | OFF |
| S202 | MUTING Switch | OFF | S701 | POWER Switch | OFF |
| S203 | LOUDNESS Switch | OFF | S702 | SPEAKER A Switch | OFF |
| S204 | PHONO Switch | OFF | S703 | SPEAKER B Switch | OFF |
| S205 | TUNER Switch | OFF | S801 | VOLUME UP Switch | OFF |
| S206 | COMPACT DISC Switch | OFF | S802 | VOLUME DOWN Switch | OFF |
| S207 | VIDEO/AUX Switch | OFF | S901 | AC SELECTOR Switch | 220V |
| S208 | TAPE-1 MONITOR Switch | OFF | | | |

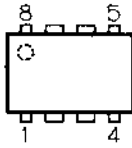
NOTES:

1. All resistors values are indicated in "ohm" (K=10³, M=10⁶).
2. All capacitors values are indicated in "μF" (P=10⁻¹²).
3. All voltages indicated on the schematics are measured under the following conditions.
 - a. Use a V.T.V.M.
 - b. All voltages ±10% with respect to chassis ground
 - c. No signals at input terminals
 - d. AC input at 220 volts 50 Hz
4. This is a basic schematic diagram.

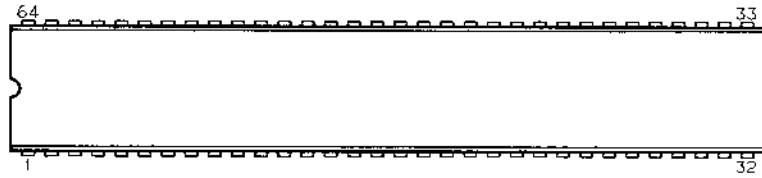
Because Fisher products are subject to continuous improvement, Fisher Corporation reserves the right to make any changes or modifications without notice.

SEMICONDUCTOR LEAD IDENTIFICATION (Continued)

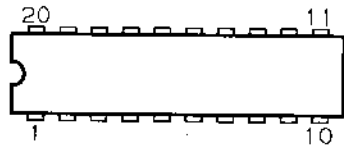
NJM 2068 DD TOP VIEW



TMP 47C460AN-2 TOP VIEW



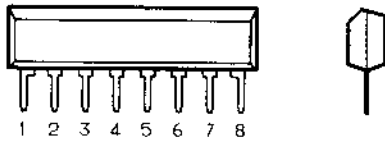
TC 9177 P TOP VIEW



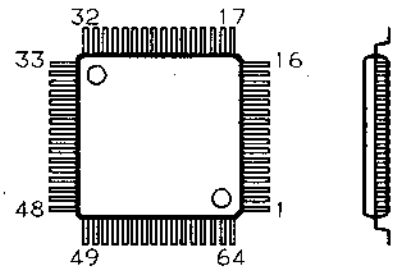
TC 9163 N TOP VIEW



μPC 1490 HA TOP/SIDE VIEWS



LC 7583 B TOP/SIDE VIEWS



FISHER Hi-Fi Europa Vertriebs GmbH

Stahlgruberring 4
8000 München 82

Tel: 089/420 45-0
Tlx: 524033

April/'87/2,000/H Printed in Japan